

SUPER GV SERIES

Heavy Duty Supersize CNC Turning Centers



THE ULTIMATE MACHINING POWER
WOODWAY

GV

GOODWAY VERTICAL TURNING CENTERS

TRUSTWORTHY MACHINES GO BEYOND EXPECTATIONS

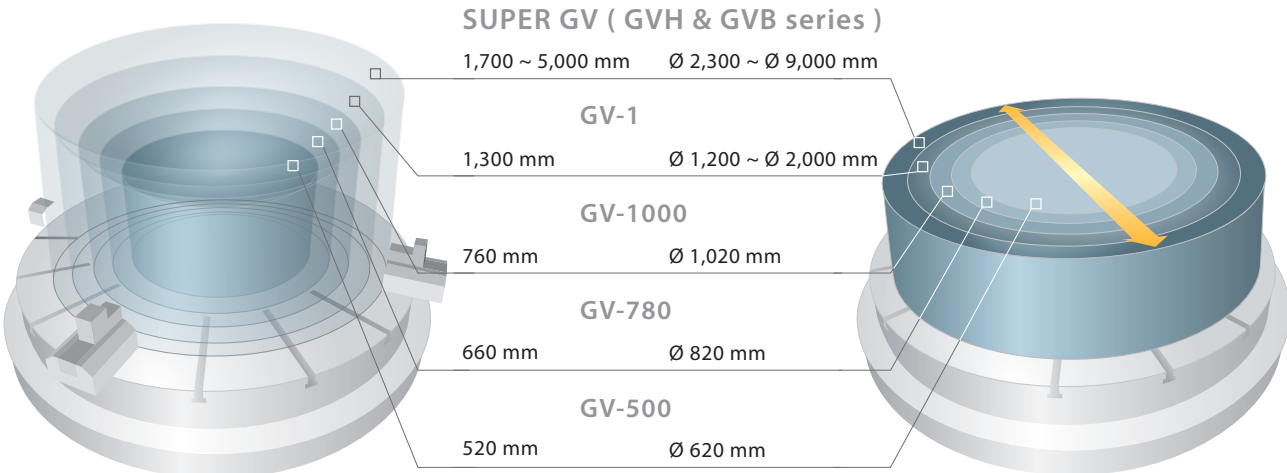
With 40 years of trust and faith from each of our customers, you can now hold on to the present and future by experiencing Goodway's latest state-of-the-art vertical turning center.

The all new SUPER GV series, gives you more than you can imagine.



Max. Turning Height

Max. Turning Diameter



SUPER SIZED CNC VERTICAL TURNING CENTER

With leading technologies and high quality components, the SUPER GV CNC vertical turning center combines heavy-duty, high rigidity and super large machining range advantages to provide you with large sized, asymmetric work piece turning capabilities. The optimal reinforced structure of these series can maintain long term precision even if the table diameter is reached up to 8,000mm. Plus, with the optional dual ram or live tooling spindle and C-axis, all kinds of complex turning applications can be done easily, which can meet your needs for today and tomorrow.

Super Large Turning Range

Maximum turning diameter can reach up to \varnothing 9,000 mm ; maximum work-piece weight can reach up to 300,000 Kg (GVB-8000 series).

High Rigidity Structure

The bed, column and bridge casting components are of MEEHANITE casting with a symmetric structure design, which ensures optimal thermal balance and structure rigidity.

Powerful High Torque Motors

The work-piece and live tooling spindles uses a high power 2-speed heavy-duty gear box motor to provide ample torque output for heavy-duty cutting applications.

High Efficiency Chip Removal System

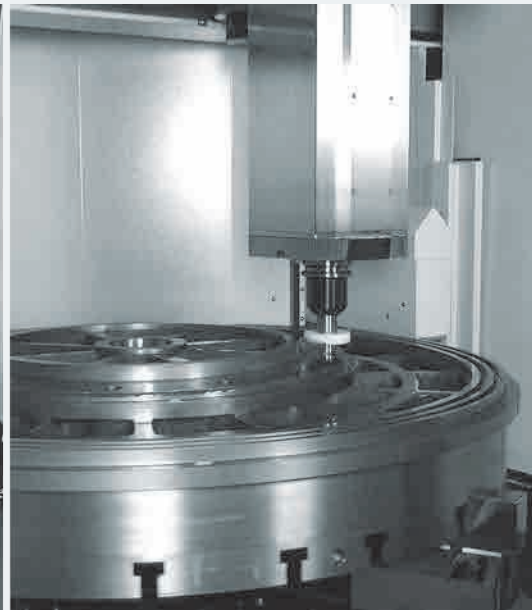
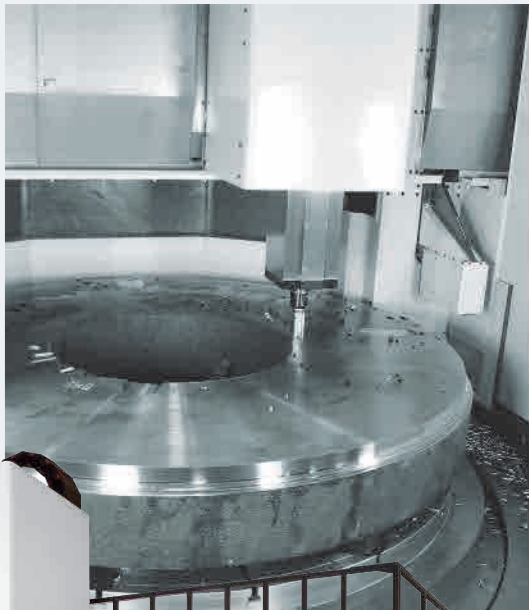
The standard chip wash down coolant system can flush away great amount of chips into the coolant tank, and are sent outside from the machine through the chip conveyor; this tremendously improves the machine's overall accuracy by lowering thermal expansion effects to a minimum.

Multi-Tasking Capability

The optional live tooling spindle provides turning, milling, grinding, drilling, and tapping capabilities, which greatly increases production efficiency while saving equipment investment costs.

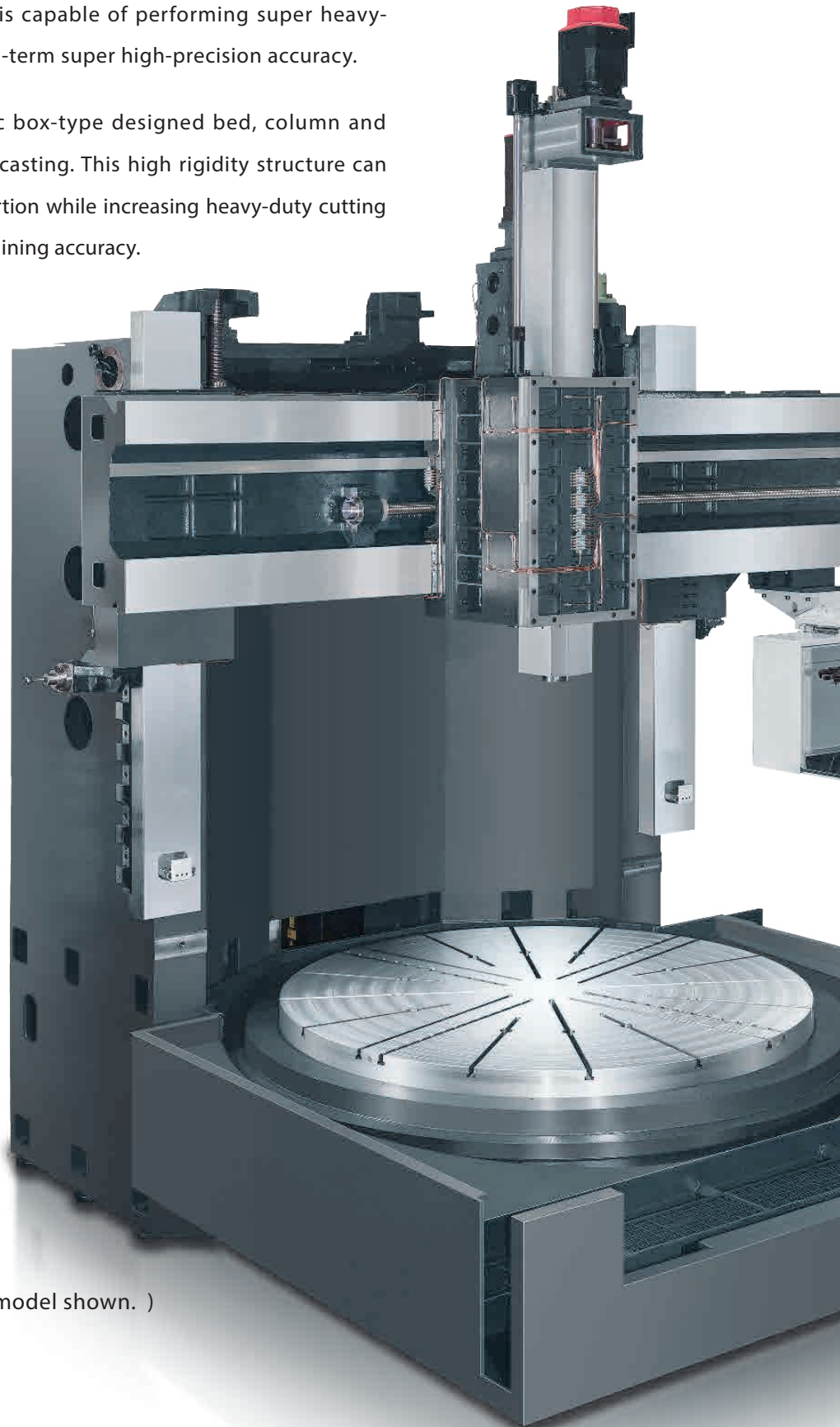


(GVH-2500M model shown.)

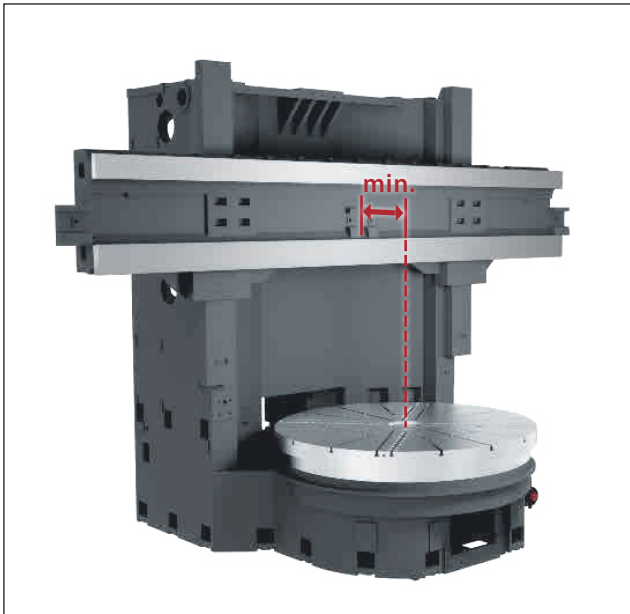


SUPER RIGID CONSTRUCTION

- By using Finite Element Analysis (FEA), optimal reinforce ribbings are directly cast into the bed and column structure. Mechanical rigidity has been increased by more than 30% when compared to conventional designs. The SUPER GV series is capable of performing super heavy-duty turning and maintain long-term super high-precision accuracy.
- The heavily ribbed, symmetric box-type designed bed, column and cross beam are of MEEHANITE casting. This high rigidity structure can effectively reduce thermal distortion while increasing heavy-duty cutting capability and maintaining machining accuracy.

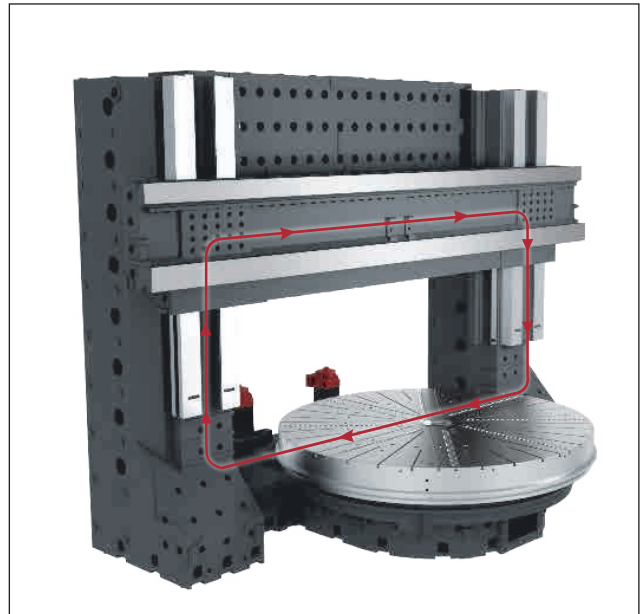


(Casting structure of GVH-2500M model shown.)



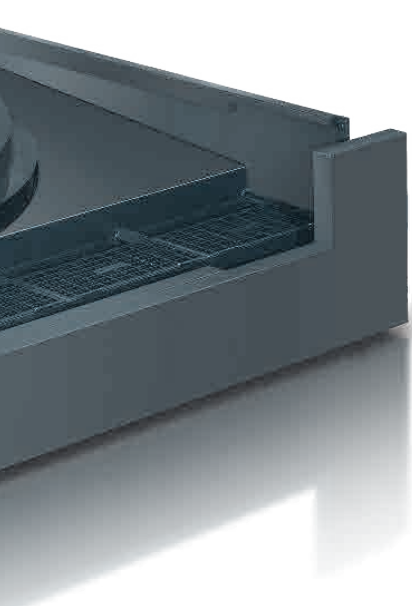
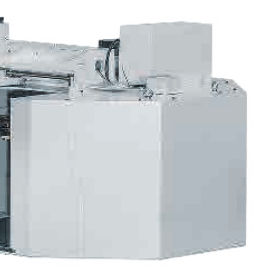
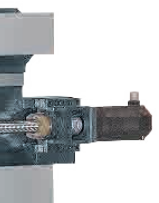
■ **One-piece Column & Structure (GVH series)**

The one-piece column is firmly mounted on top of the bed, which ensures machine overall rigidity and minimizes spindle over hang to provide optimal machining accuracy.



■ **Bridge Type Structure (GVB series)**

The super rigid construction of the base and bed, double column, and cross beam, can easily fulfill heavy load and cutting requirements.



Super large box way and components are of one-piece casting; they are applied with heat treatment and precision grinded to provide maximum strength and accuracy.



Contact surfaces of all slides, spindles, ball screw bearing housings, bed and column are precision hand scraped to provide maximum assembly precision, structural rigidity, and load distribution.

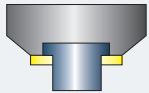


The optional high resolution close-loop linear scale ensure optimal positioning and repeatability accuracy.

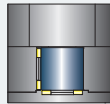


TOOLING SPINDLE

- The square ram on the tooling spindle is adopted with a closed-type design and fixed with powerful wedges. This gives the SUPER GV series with greater structural rigidity and machining accuracy compared to peer models with a semi-closed type square ram structure.



Semi-closed Type Square Ram



Closed-type Square Ram



Ram Dimension

Unit : mm

Model	GVH-2000	GVH-2500	GVB-3000	GVB-3500	GVB-4000
A	220 / 250 (OPT.)	250	300 / 350 (OPT.)		

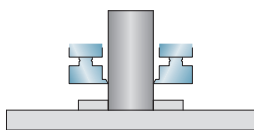
Model	GVB-4500	GVB-5000	GVB-6000	GVB-7000	GVB-8000
A	300 / 350 (OPT.)	350 / 400 (OPT.)			

Dual Ram Structure

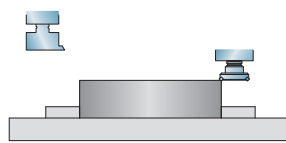
- With the optional dual ram structure, multiple machining applications (such as rough turning / fine turning or drilling / tapping / milling) can be operated at the same time; one machine can replace two vertical turning centers which saves tool change time and increases floor space usage.



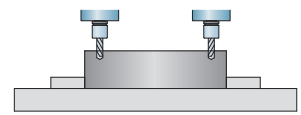
Diversed Machining Mode



Dual Simultaneous Turning
Increases machining efficiency



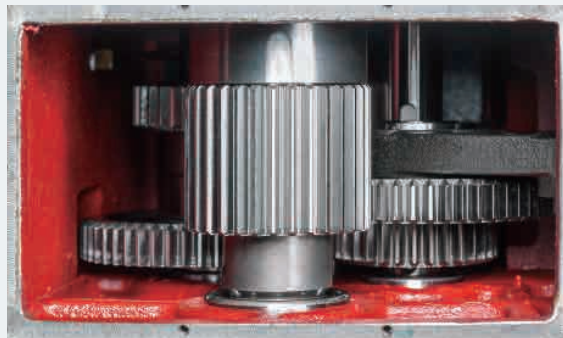
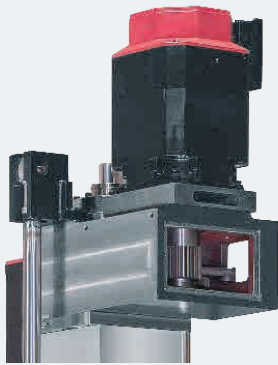
Optional Single Live Tooling Spindle
Reduces Tool Change Time



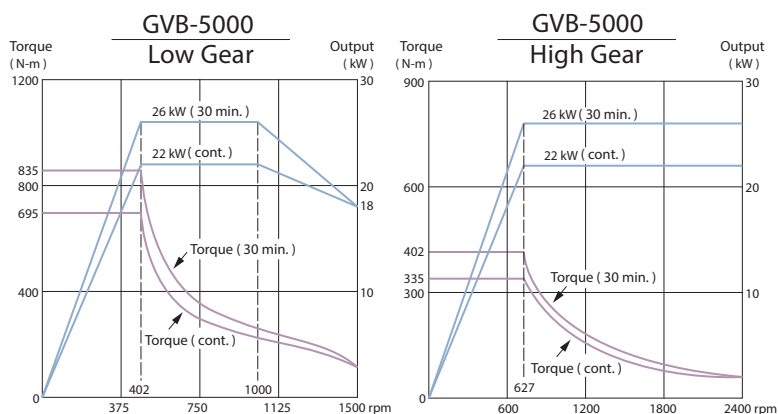
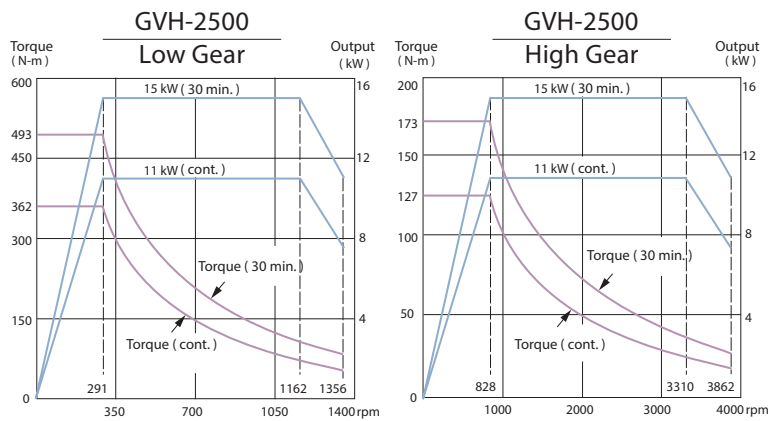
Optional Dual Live Tooling Spindle
Reduces Tool Change Time

Live Tooling Spindle

- The live tooling spindle uses JAPAN NN Type roller bearings to provide high rigidity, high precision, and long life span advantages.
- The high reduction ratio 2-speed gear box uses high hardness Nickel-Chromium-Molybdenum alloy with forced oil-feed for lubrication and coolant; the gear box can maintain normal operation and low wear even under long hours of low-speed, high-torque working conditions.

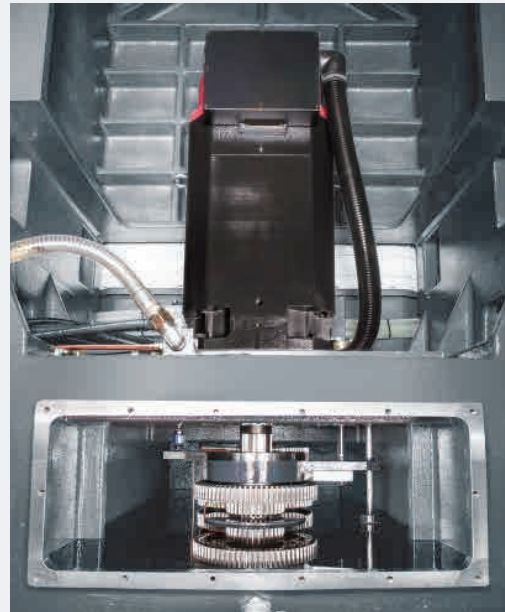


Live Tooling Spindle Output



WORK-PIECE SPINDLE

- The work-piece spindle uses high power 2-speed gear box motor which provides 314,000 N-m torque output under low speed (GVB-5000); various large sized work-pieces can be overcome easily.
- The high reduction ratio 2-speed gear box uses high hardness Nickel-Chromium-Molybdenum alloy with forced oil-feed for lubrication and coolant; the gear box can maintain optimal performance with long life span.



Bearing Configuration

Model	GVH-2000	GVH-2500	GVB-3000	GVB-3500	GVB-4000	GVB-4500	GVB-5000	GVB-6000	GVB-7000	GVB-8000
Cross Roller Bearings	S	S	S	S	S	S	—	—	—	—
Hydrostatic Bearings	—	—	O	O	O	O	S	S	S	S

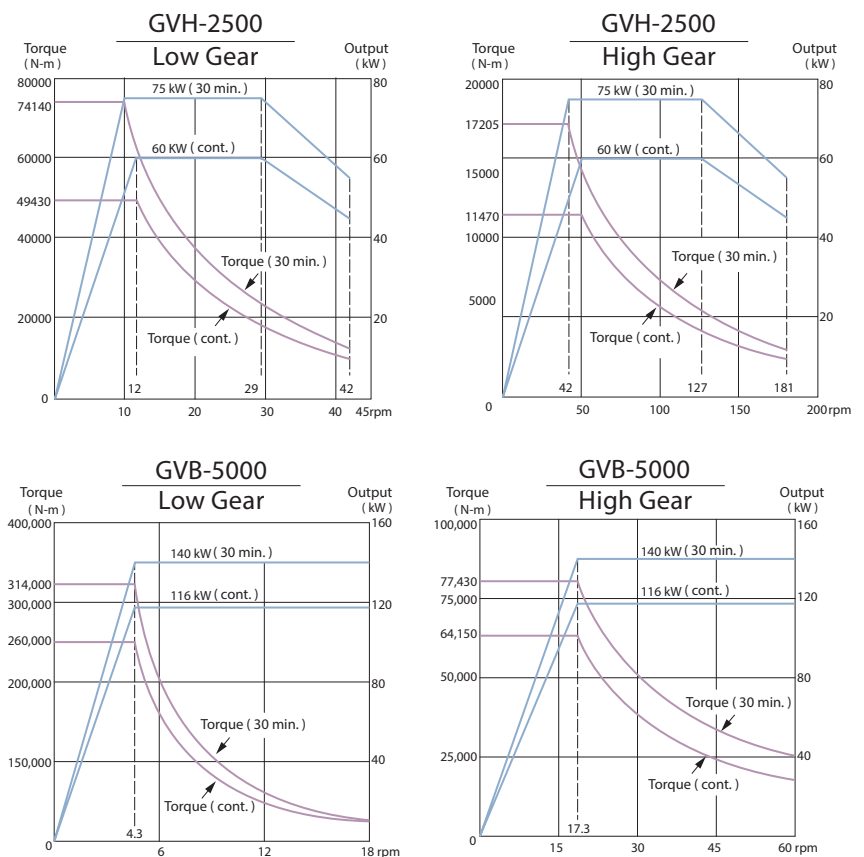
S : Standard O : Option — : Not available

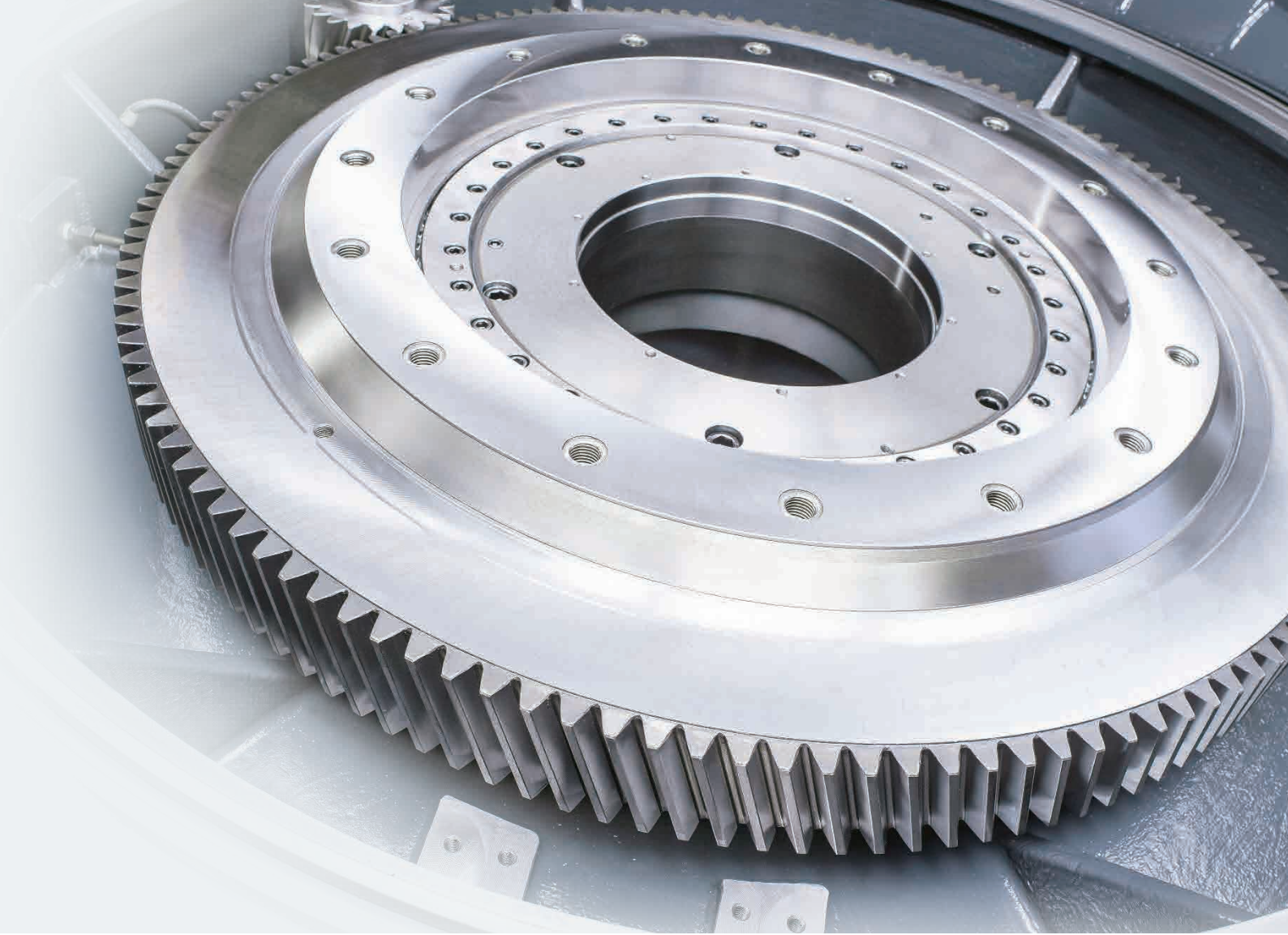
Cross Roller Bearings

- The high rigidity high precision cross roller bearings can sustain high radial, axial and torque load, which greatly reduces deformation and thermal errors while increasing the rotary table's rotational accuracy and load capacity when working on heavy work-pieces.



Work-Piece Spindle Output

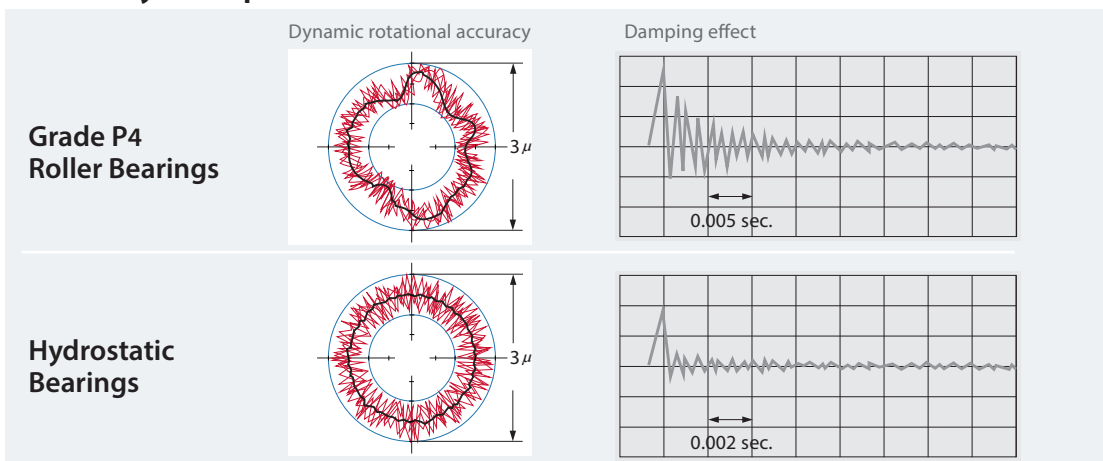


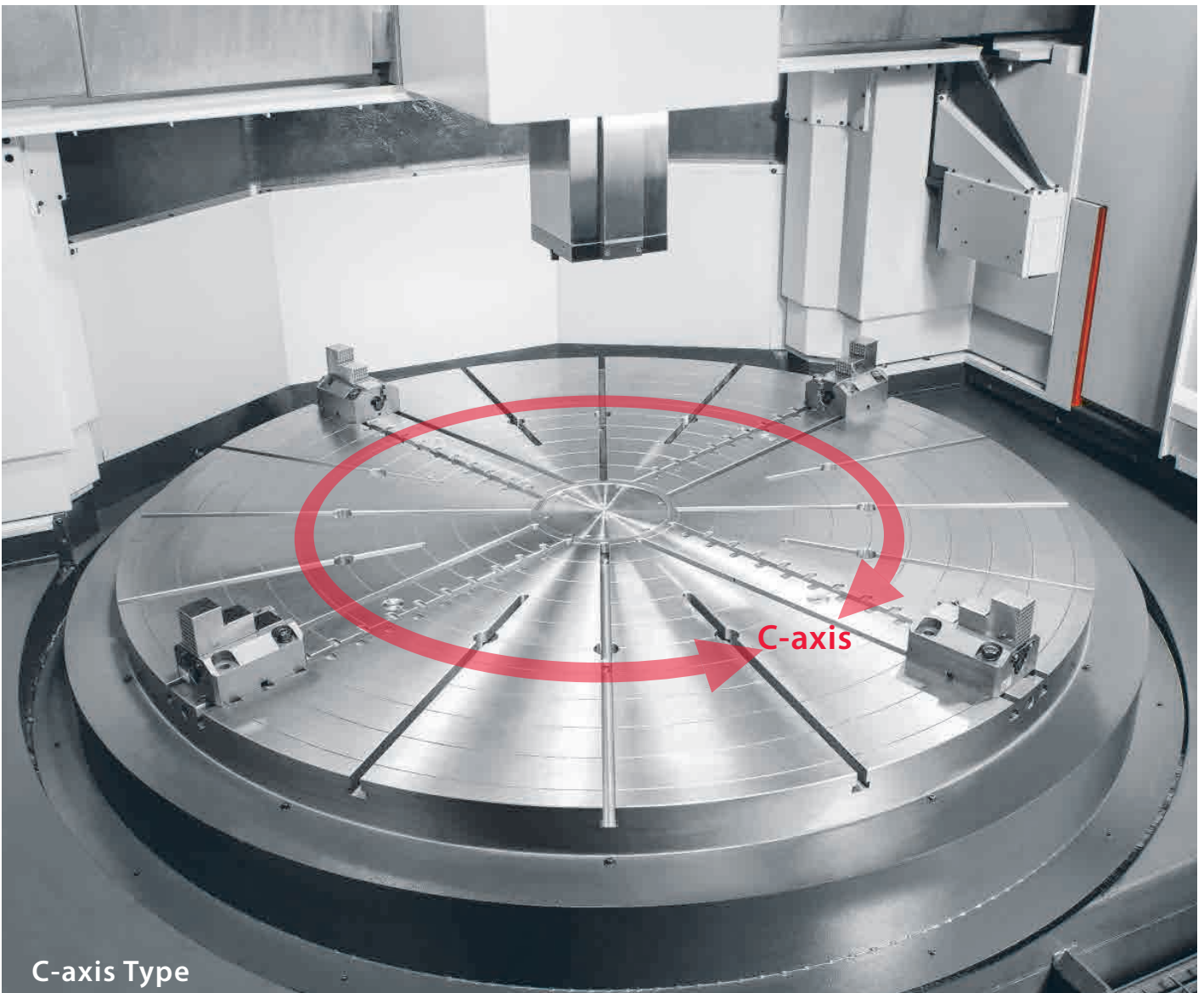


Hydrostatic Bearings

- The high rigidity hydrostatic bearings provide absolute zero static friction coefficient and low kinetic friction coefficient which can easily drive the rotary table without needing high torque output. Plus the stick-slip effect is eliminated under low speed which provides stable and smooth rotating movement while maintaining maximum dynamic accuracy.
- The hydrostatic bearings provides great damping in vertical movement and low damping in horizontal movement. The oil film damper provides outstanding dynamic rigidity.

Accuracy Comparison

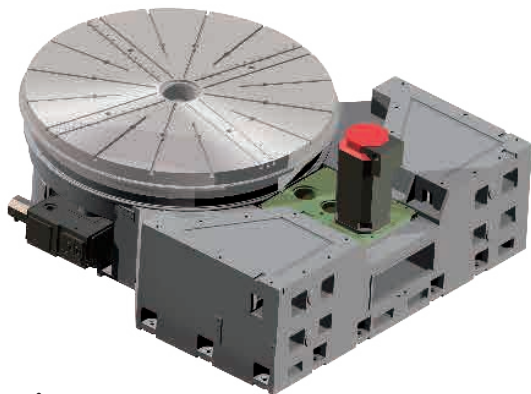




C-axis Type

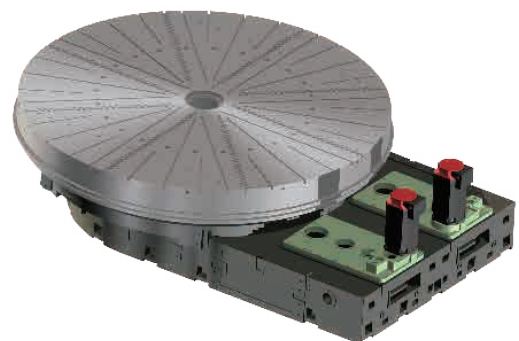
Model	GVH-2000	GVH-2500	GVB-3000	GVB-3500	GVB-4000	GVB-4500	GVB-5000	GVB-6000	GVB-7000	GVB-8000
Type	Cf	Cf	Cs	Cs	Cs	Cs	Cs	Cs	Cs	Cs

HIGH RIGIDITY C-AXIS



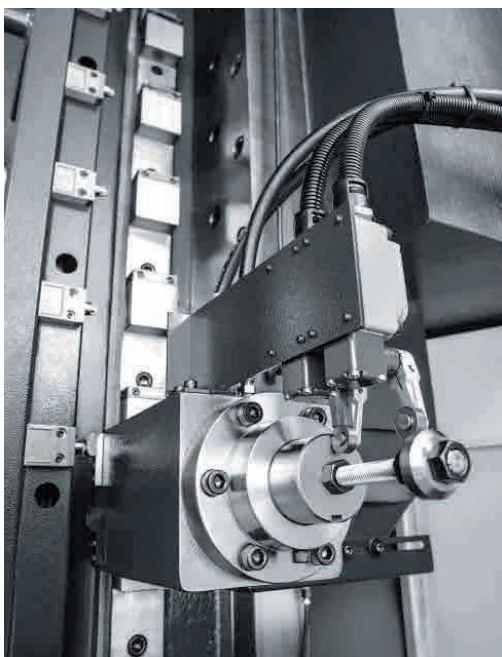
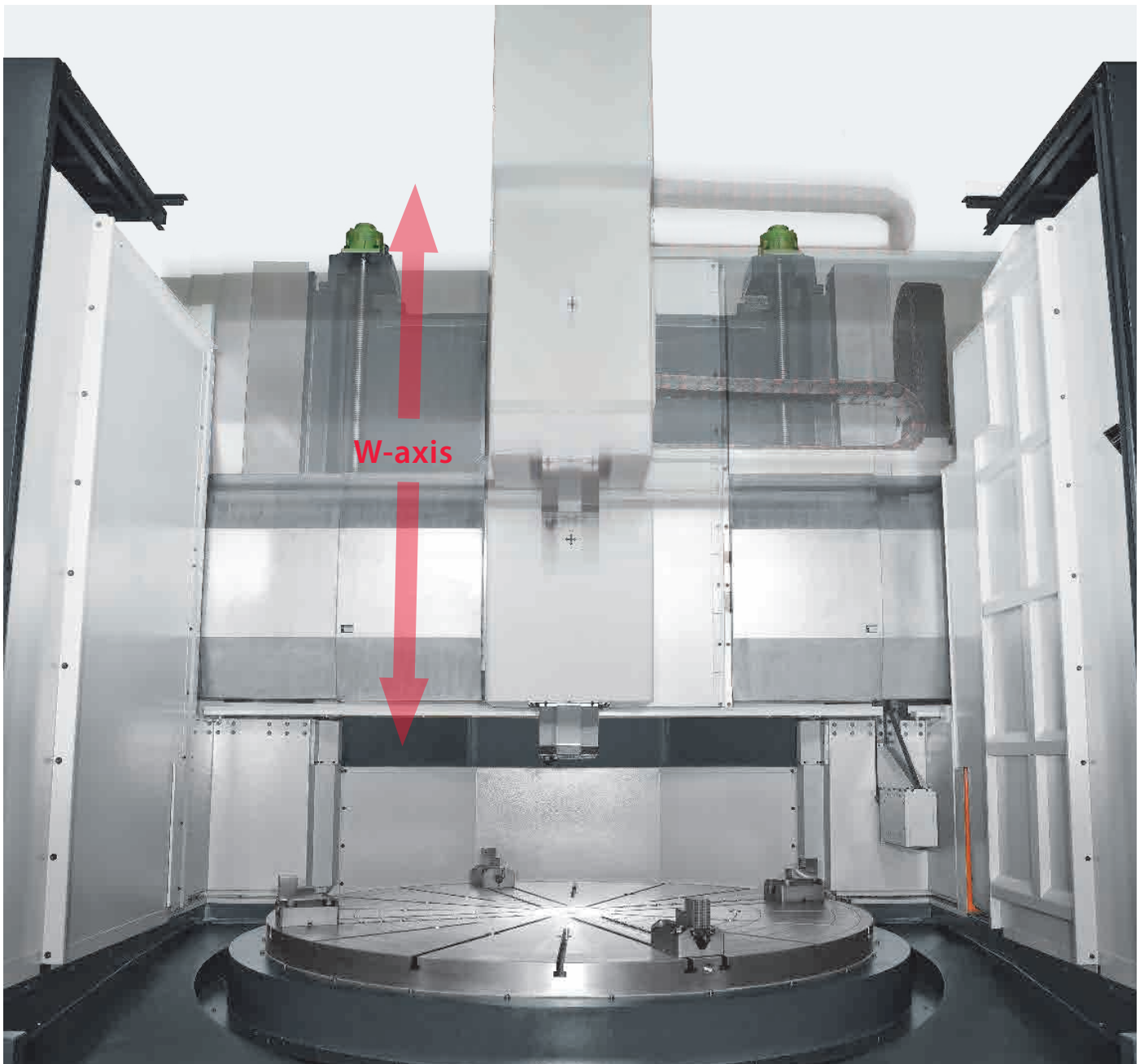
Cf-axis

The Cf-axis and disk brake system provides the most rigid and powerful type of C-axis in the market today. The surface accuracy and dynamic accuracy can be maintained under heavy duty cutting conditions.



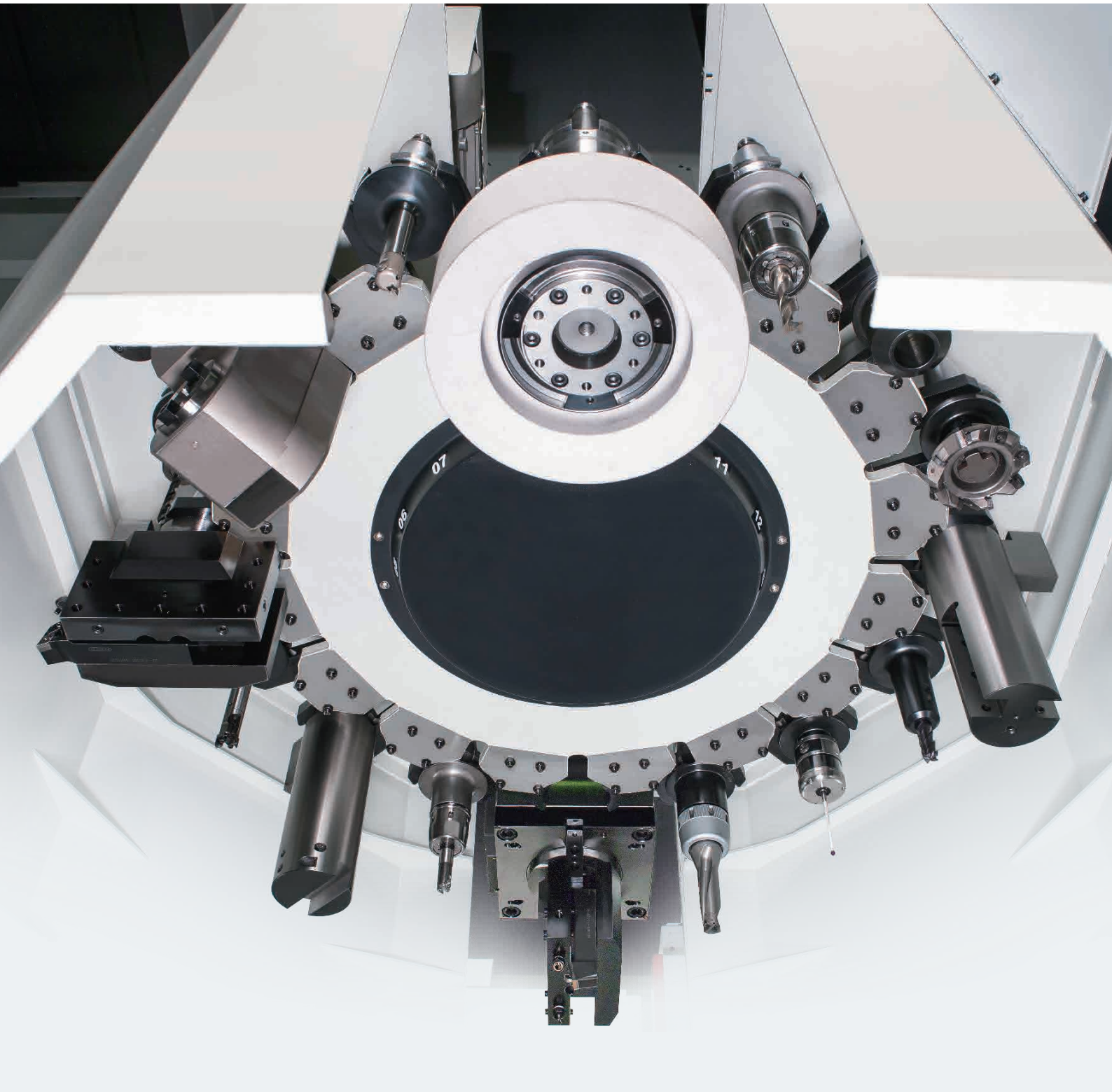
Cs-axis

The Cs-axis is driven by double spindle motors which eliminates gear backlash while providing double torque output. The repeatability can reach up to $\pm 5''$ and positioning accuracy can reach up to $\pm 7.5''$ under normal working conditions.



MOVING CROSS RAIL STRUCTURE

- The structure uses two sets of live locking bolts to support the cross-rail. After precision positioning, the bolts will be locked by a hydraulic clamping force to ensure the overall rigidity.
- The space between each step of the positioning mechanism is 200 mm which can easily fulfill various types of machining requirements.



ATC SYSTEM

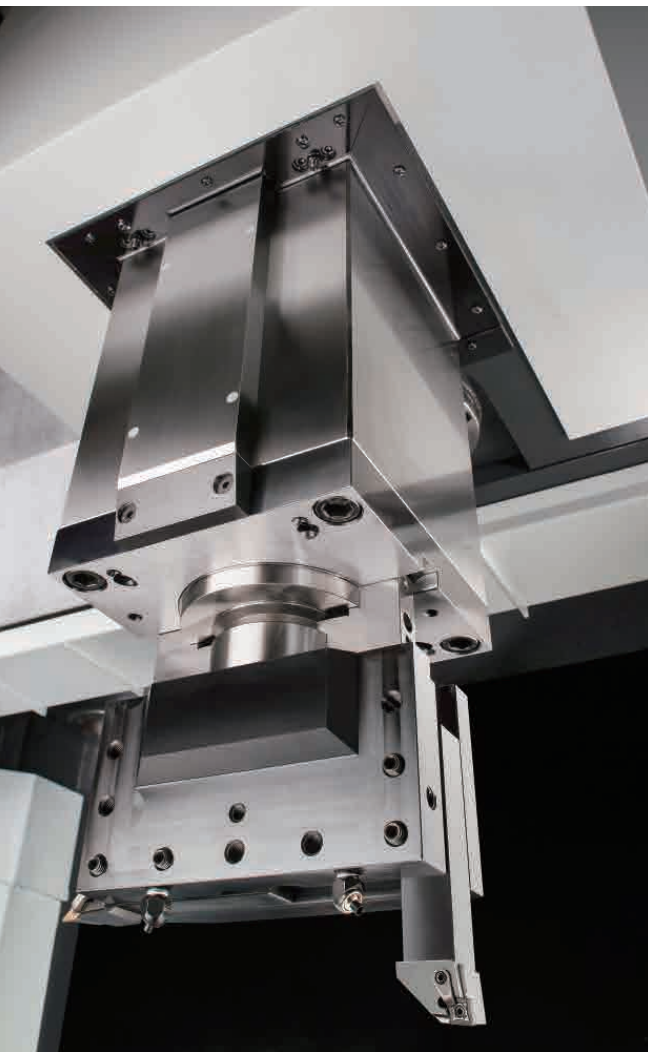
- Standard 16-tool umbrella type magazine is designed with cam movement mechanism which provides bi-directional tool selection, low noise and accurate positioning advantages.
- The optional 24-tool umbrella type magazine provides ample amount of tools which can easily fulfill complex work-pieces machining applications.

STANDARD & OPTIONAL FEATURES

S : Standard O : Option
 - : Not available C : Contact Goodway

		G/H	G/B
WORK-PIECE SPINDLE			
Main spindle motor		S	S
Rigid tapping		S	S
C-axis		O	O
Disk brake for C-axis		O	O
Lubrication system		S	S
WORK-PIECE HOLDING			
4-jaw manual table		S	S
TOOLING SPINDLE			
BT50		S	S
BT60		-	O
Coolant nozzle around spindle		S	S
Coolant through spindle (CTS)		S	S
Milling functions		O	O
Gear box lubrication system		S	S
Umbrella type ATC system	16 T	S	S
	24 T	O	O
Chain type ATC magazine (milling functions)	24 T	C	C
	32 T	C	C
MEASUREMENT			
Tool presetter		O	O
In-process part probing		O	O
X & Z axes linear scales		O	O
COOLANT			
Coolant pump	5 Kg/cm ²	S	S
High-pressure coolant system	20 Kg/cm ²	O	O
Oil skimmer		O	O
Coolant flow switch		O	O
Coolant level switch		O	O
Coolant cooling system		O	O
Paper Tape Filter		O	O
CHIP DISPOSAL			
Chip conveyor with auto timer		O	O
Chip cart		O	O
Coolant gun		O	O
Air gun		O	O
SAFETY			
Fully enclosed splash guard without roof		S	S
Fully enclosed splash guard with roof		O	O
Door interlock (incl. Mechanical lock)		S	S
Impact resistant viewing window		S	S
Low hydraulic pressure detection switch		S	S
Over travel (soft limit)		S	S
Load monitoring function		S	S
OTHERS			
Tri-color operation status signal light tower		S	S
Florescent work light		S	S
Electrical cabinet	Heat exchanger	S	S
	A/C cooling system	O	O
Complete hydraulic system		S	S
Advanced auto lubrication system		S	S
Emergency maintenance electrical part package		S	S
Operation & maintenance manuals		S	S

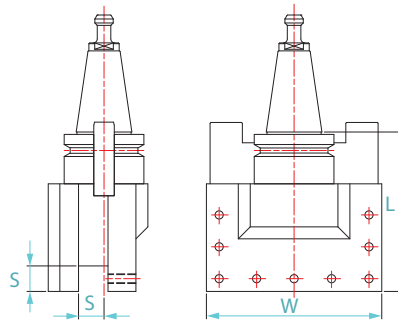
		840D SI	
SIEMENS CONTROL FUNCTIONS			
SYSTEM CONFIGURATION	CNC User Memory	3M	S
		9M	O
		15M	O
	10.4" LCD display		S
AXIS FUNCTION	Separate feed for corners & chamfers		S
SPINDLE FUNCTION	Oriented spindle stop		S
	Constant cutting speed		S
	Constant thread pitch cutting		S
	Variable thread pitch cutting		S
	Multiple thread cutting		S
INTERPOLATION / COUPLING	Rigid tapping		S
	3D Circular interpolation		S
	Helical interpolation (2D+2)		S
	NURBS interpolation		S
	Polynomial interpolation		O
	Involute interpolation		O
	Machining on end face		O
	Multi-edge / Polygon turning		O
HSC	Look ahead block	150	S
		250	O
		500	O
OPERATION MODE	Metric / Inch switchover (JOG Mode)		S
CNC PROGRAMMING LANGUAGE	Global program variables		S
	Global / local user variables		S
	Macro technique		S
	Part programs in NCU, max	1,000	S
	Work-pieces on NCU, max	250	S
	Part programs on CF card (PCU50)		S
	Part programs on USB device		S
	Part programs on network dirve		S
PROGRAMMING SUPPORT	Read / Write system variables		S
	Animate cycle support (program GUIDE)		S
	Animate machining step support (Shop Turn)		S
	Customer cycles dialog support		S
	Geometry processor for contour		S
	Basic Drill / Mill technology cycles		S
	Basic Truning technology cycles		S
	Free contour pocketing (with island)		S
	DXF contour conveter (CAD Reader)		O
	2D simulation (finished part)		S
3D simulation 1 (finished part)		O	
WORK OFFSET	Number of basic frames , max	16	S
	Number of settable frames (G54~)	100	S
	Zero / work offsets, programmable		S
TOOL	Operaton with tool management		S
	Monitor of tool life and part count		S
	3D tool radius compensation		S
	Fast Ethernet Ports		S
COMMUNICATIONS	Network drives, FTP , max	8	S
	External PROFINET network		S
	Remote control system (local network)		S
	Remote control system (internet)		O
SPECIAL FUNCTIONS	Auto servo turning		S
	Remote Diagnose via Ethernet		S



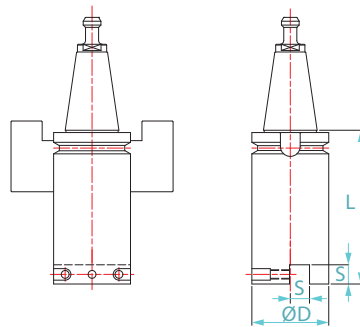
GENERAL DIMENSION

Unit : mm

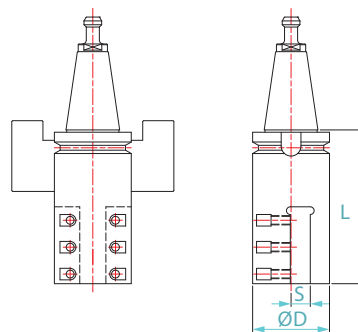
Turning Tool Holder



Taper	W	L	S
BT50	220	200	32
BT50	220	210	40
BT50	250	200	32
BT50	250	210	40
BT50	270	200	32
BT50	270	210	40
BT60	340	250	32
BT60	340	260	40



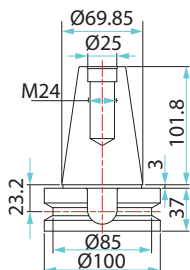
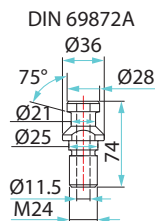
Taper	L	S	D
BT50	200	25	100
BT50	300	25	100
BT60	200	25	140
BT60	300	25	140



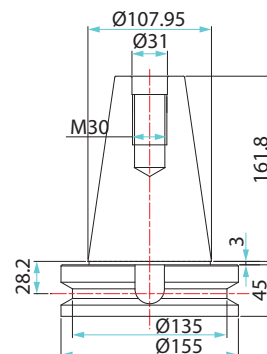
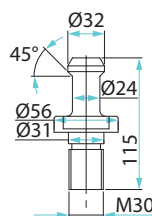
Taper	L	S	D
BT50	200	25	100
BT50	300	25	100
BT60	200	25	140
BT60	300	25	140

Milling Tool Holder

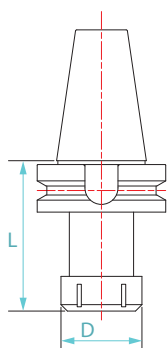
BT50



BT60

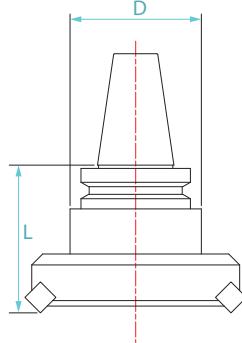


Tool Shank (Optional)



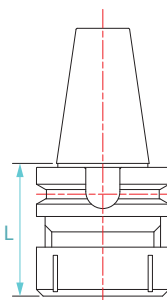
Tapping Tool Holders

Taper	L	D	Tapping Range
BT50-TER16	80	28	M3-M12
BT50-TER40	117	63	M12-M35
BT60-TER16	83	28	M3-M12
BT60-TER40	126	63	M12-M35



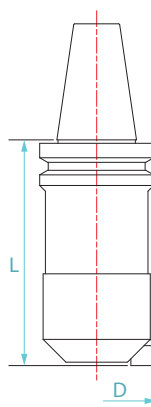
Face Milling Tool Holders

Taper	L	D	Cutter Dia.
BT50-FMA25.4-105	125	85	80
BT50-FMA31.75-105	127	85	100
BT50-FMA38.1-75	98	95	125
BT50-FMA50.8-75	99	95	150
BT60-FMA25.4-105	125	85	80
BT60-FMA31.75-105	127	85	100
BT60-FMA38.1-75	98	95	125
BT60-FMA50.8-75	99	95	150



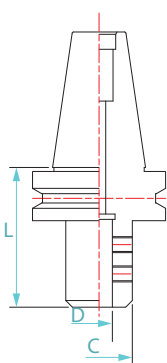
Drilling (Collect Type) Tool Holders

Taper	L	Capacity	Collet Type
BT50-ER20-100	100	1-13	ER20
BT50-ER32-100	100	2-20	ER32
BT50-ER40-100	100	3-26	ER40
BT60-ER20-100	100	1-13	ER20
BT60-ER32-100	100	2-20	ER32
BT60-ER40-100	100	3-26	ER40



Boring Tool Holders

Taper	L	D
BT50-BSA62-300	300	62 ~ 90
BT50-BSA72-320	320	72 ~ 110
BT50-BSA105-195	195	105 ~ 160
BT60-BSA62-300	300	62 ~ 90
BT60-BSA72-320	320	72 ~ 110
BT60-BSA105-195	195	105 ~ 160



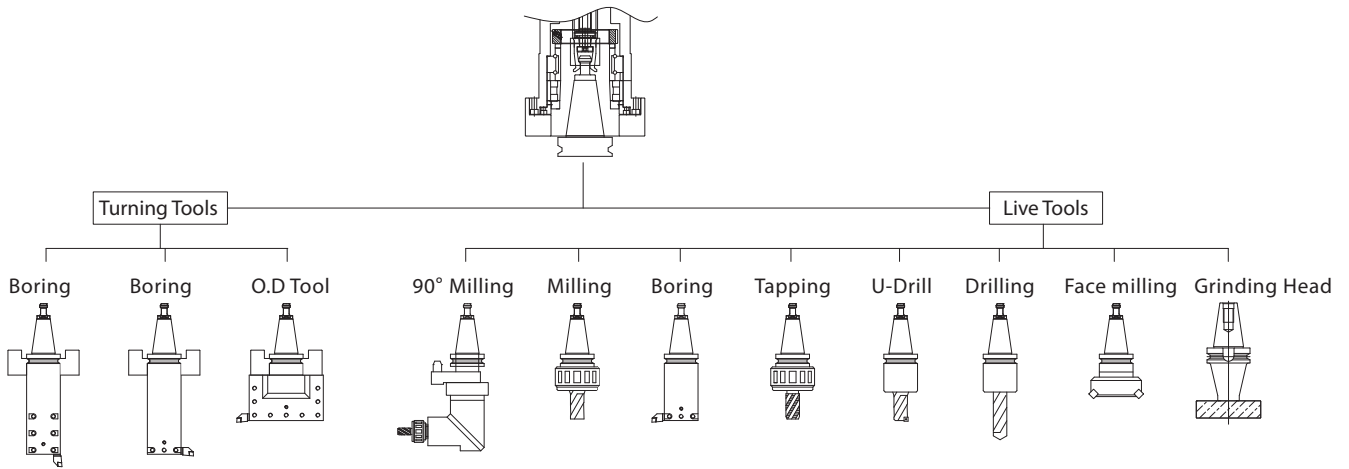
Drilling (Side Lock) Tool Holders

Taper	L	C	D
BT50-SLA20-105	105	50	20
BT50-SLA25-105	105	55	25
BT50-SLA32-105	105	60	32
BT50-SLA40-105	105	80	40
BT50-SLA50.8-105	105	95	50.8
BT60-SLA20-105	105	50	20
BT60-SLA25-105	105	55	25
BT60-SLA32-105	105	60	32
BT60-SLA40-105	105	80	40
BT60-SLA50.8-105	105	95	50.8

GENERAL DIMENSION

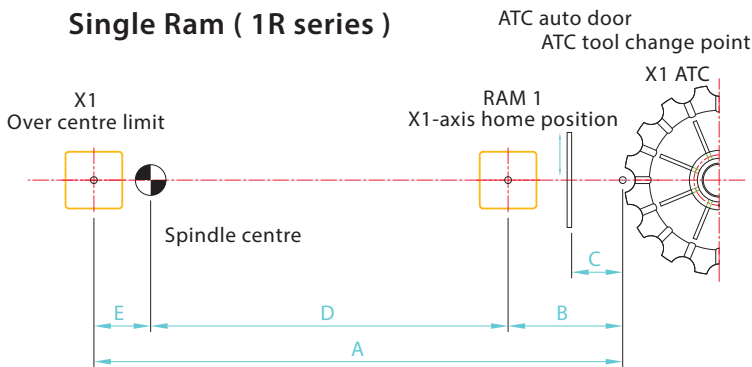
Unit : mm

Tooling System



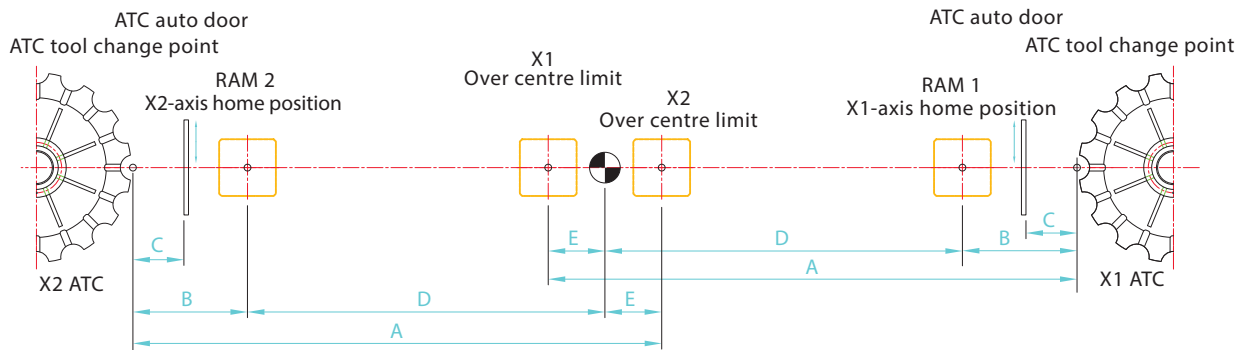
X-axis Travel

Single Ram (1R series)



Model	A	B	C	D	E
GVH-2000	2,830	680	225	1,125	1,000
GVH-2500	3,080	680	225	1,375	1,000
GVB-3000	3,950	500	230	1,950	1,500
GVB-3500	4,450	500	230	2,200	1,750
GVB-4000	4,950	500	230	2,450	2,000
GVB-4500	5,450	500	230	2,700	2,250
GVB-5000	6,435	740	290	3,195	2,500
GVB-6000	7,435	740	290	3,695	3,000
GVB-7000	8,635	740	290	4,195	3,700
GVB-8000	9,735	740	290	4,695	4,300

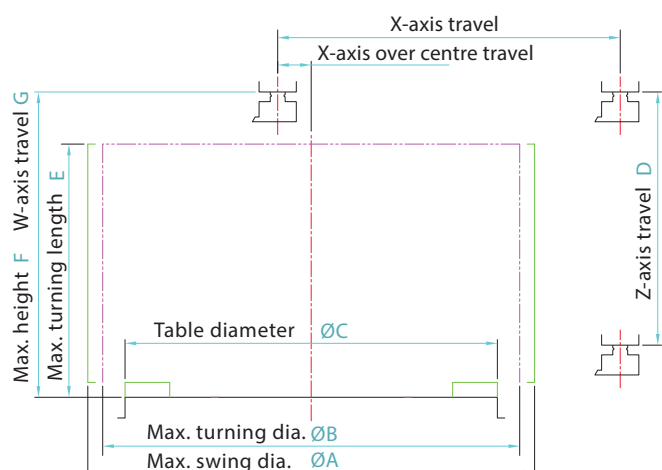
Dual ram (2R series)



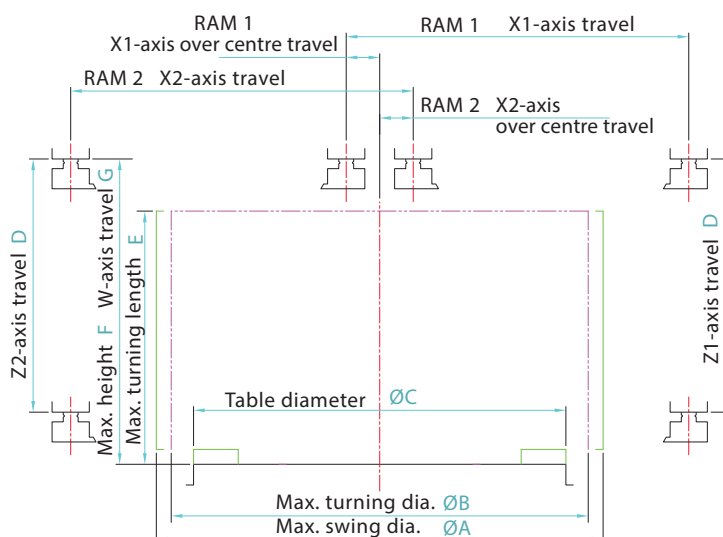
Model	A	B	C	D	E
GVH-2000-2R	2,080	680	225	1,150	250
GVH-2500-2R	2,330	680	225	1,400	250
GVB-3000-2R	2,700	500	230	1,950	250
GVB-3500-2R	2,950	500	230	2,200	250
GVB-4000-2R	3,200	500	230	2,450	250
GVB-4500-2R	3,450	500	230	2,700	250
GVB-5000-2R	4,185	740	290	3,195	250
GVB-6000-2R	4,685	740	290	3,695	250
GVB-7000-2R	5,185	740	290	4,195	250
GVB-8000-2R	5,685	740	290	4,695	250

Working Range

Single Ram (1R series)

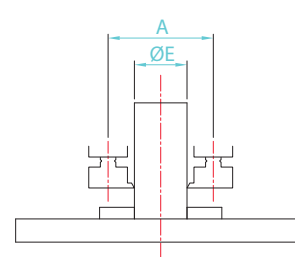
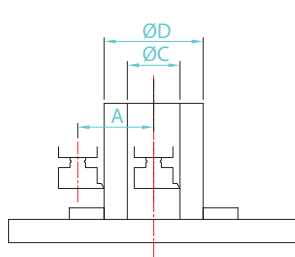
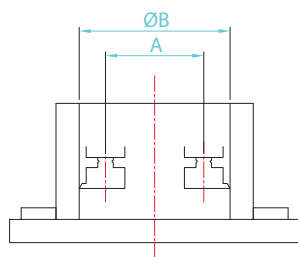


Dual ram (2R series)



Model	A	B	C	D	E*1	F*1	G*1
GVH-2000	2,500	2,300	2,000	1,200	1,700	2,050	1,200
GVH-2500	3,000	2,800	2,500	1,200	1,700	2,050	1,200
GVB-3000	3,700	3,500	3,000	1,500	1,600	2,080	1,200
GVB-3500	4,200	4,000	3,500	1,500	1,600	2,030	1,200
GVB-4000	4,700	4,500	4,000	1,500	1,600	1,960	1,200
GVB-4500	5,200	5,000	4,500	1,500	1,600	1,910	1,200
GVB-5000	6,400	6,000	5,000	1,600	2,400	2,800	1,600
GVB-6000	7,500	7,000	6,000	1,600	2,400	2,800	1,600
GVB-7000	9,000	8,500	7,000	1,600	2,600	3,000	1,600
GVB-8000	9,500	9,000	8,000	1,600	2,600	3,000	1,600

*1 Change upon customer's requested



Model	A	B	C	D	E
GVH-2000-2R	1,300	1,600	360	2,300	1,000
GVH-2500-2R	1,300	1,600	360	2,300	1,000
GVB-3000-2R	1,400	1,700	400	2,500	1,100
GVB-3500-2R	1,400	1,700	400	2,500	1,100
GVB-4000-2R	1,400	1,700	400	2,500	1,100
GVB-4500-2R	1,400	1,700	400	2,500	1,100
GVB-5000-2R	1,900	2,430	530	3,300	1,400
GVB-6000-2R	1,900	2,430	530	3,300	1,400
GVB-7000-2R	2,000	2,530	530	3,470	1,470
GVB-8000-2R	2,000	2,530	530	3,470	1,470

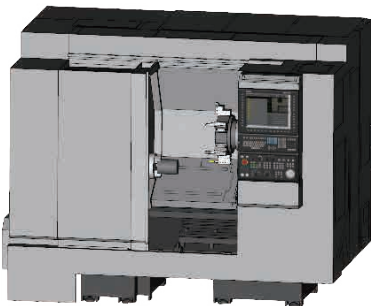


G.LINC 350

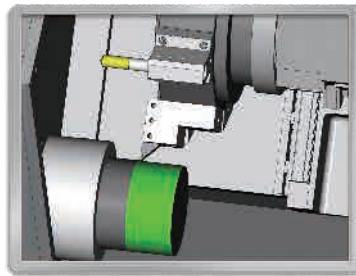
Advanced hardware combined with intelligent software, makes your machine smarter

SVI Inspection

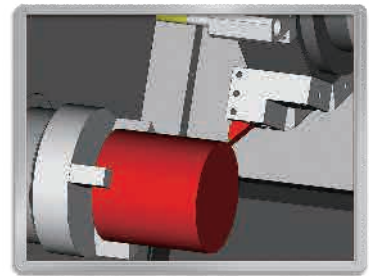
Brand New Inspection Strategy for Safer and More Efficient Working Experience (Optional)



Create Simulation

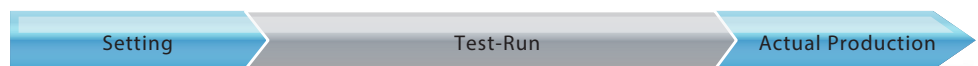


Simulation Inspection



Interference Inspection

General Production Process



Using 3D Simulation Inspection



The 3D simulation inspection can greatly reduce test-run time and improve overall utilization rate

NEW GENERATION INTELLIGENT CONTROL SYSTEM

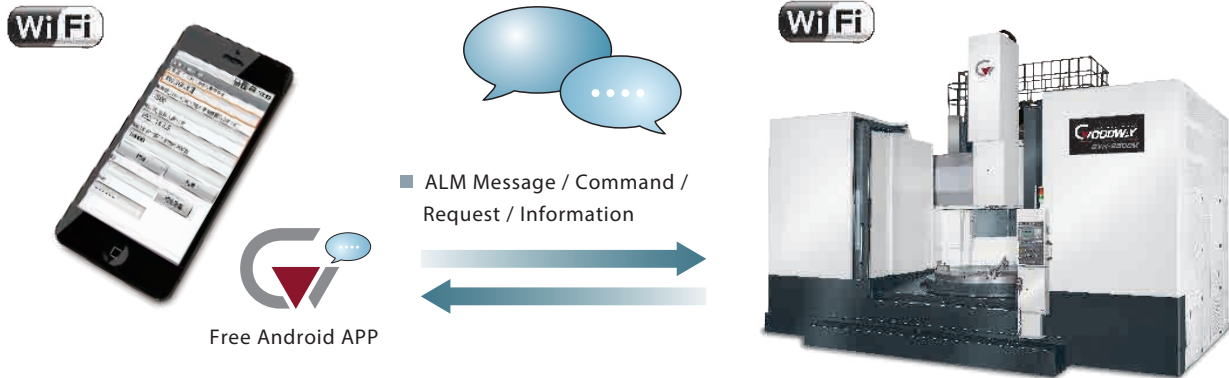
Features

- Advanced Hardware
- Reliable Continuous Operation
- Outstanding Operability
- Shortened Troubleshooting Time
- Streamlined Programming
- Improved Utilization Rate
- High Security and Shortened Machining Setting



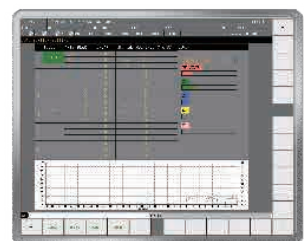
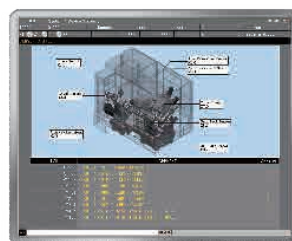
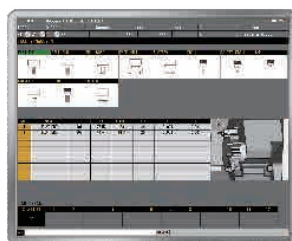
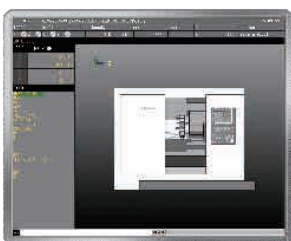
MT-Line Messages

Monitoring machine condition in real time



High Intelligent Machine Control

- 3D Check
- Tool Management
- Senesor Status
- Load Monitor
- Tool Build
- Alarm Detail
- Productive Management
- Position Screen



MACHINE SPECIFICATIONS

CAPACITY	GVH-2000	GVH-2500	GVB-3000	GVB-3500
Table diameter	Ø 2,000 mm	Ø 2,500 mm	Ø 3,000 mm	Ø 3,500 mm
Max. swing diameter	Ø 2,500 mm	Ø 3,000 mm	Ø 3,700 mm	Ø 4,200 mm
Max. turning diameter	Ø 2,300 mm	Ø 2,800 mm	Ø 3,500 mm	Ø 4,000 mm
Max. turning height	1,700 / 2,100 mm		1,600 / 2,400 / 3,200 mm	
Max. table load	10,000 Kg	15,000 Kg	20,000 / 45,000 (opt.) Kg	
WORK-PIECE SPINDLE				
Spindle bearing diameter	Ø 912 mm	Ø 1,180 mm	Bearing / Hydrostatic (Opt.)	
Motor output (cont. / 30 min.)	60 / 75 kW		(39 / 45 kW) x 2 [Opt. (58 / 70 kW) x 2]	
Spindle drive system	2-step gear box			
Spindle speed range	1 ~ 200 rpm	1 ~ 160 rpm	1 ~ 120 / 1 ~ 80 rpm (Hydrostatic)	
Max. spindle torque	59,700 N-m	74,140 N-m	169,700 N-m	
TOOLING SPINDLE (OPTIONAL)				
Motor output (cont. / 30 min.)	11 / 15 kW		15 / 18 kW	
Spindle speed range	1 ~ 2,400 rpm			
Cf-AXIS (OPTIONAL)				
Cf-axis servo motor output	5.5 kW		—*1	
Cf-axis speed range	6 rpm		—*1	
Cf-axis torque output	12,600 N-m	16,200 N-m	—*1	
X & Z AXES				
Max. X-axis travel	2,830 (+1,000 ~ -1,830) mm	3,080 (+1,000 ~ -2,080) mm	3,950 (+1,500 ~ -2,450) mm	4,450 (+1,750 ~ -2,700) mm
Max. Z-axis travel	1,200 / 1,500 mm		1,500 / 1,800 mm	
X / Z axes rapids	10 / 10 m/min.		6 / 10 m/min.	
X / Z axes motor output	6 / 9 kW		8.2 kW	
W-AXIS				
Max. W-axis travel	1,200 / 1,600 mm		1,200 / 2,000 / 2,800 mm	
W-axis rapids	200 mm/min.		150 mm/min.	
ATC				
Magazine capacity	16 T			
Spindle taper	BT50		BT50 (BT60 Opt.)	
Max. tool size (W x T x L)	280 x 150 x 400 mm		280 x 150 x 400 mm	
Max. tool weight	50 Kg		50 Kg	
Max. magazine load	360 Kg		800 Kg	
GENERAL				
Positioning accuracy	±0.007 / 500 mm			
Repeatability	±0.005 mm			
Standard CNC control	FANUC Oi -TF		SIEMENS SINUMERIK 840D sl	
Voltage requirement	AC400/440+10%to-15%3 phase			
Hydraulic capacity	130 L		200 L	
Coolant tank capacity	1,000 L	1,600 L	2,000 L	
Machine weight	50,000 Kg	55,000 Kg	70,000 Kg	90,000 Kg
Machine Dimensions (H)	6,895 mm	6,895 mm	7,600 mm	7,600 mm
Machine Dimensions (L x W)	7,040 x 4,610 mm	7,540 x 4,610 mm	12,500 x 9,000 mm	13,000 x 9,000 mm

*1 The series are designed with Cs-axis.

Specifications are subject to change without notice.

GVB-4000		GVB-4500		GVB-5000		GVB-6000		GVB-7000		GVB-8000	
Ø 4,000 mm		Ø 4,500 mm		Ø 5,000 mm		Ø 6,000 mm		Ø 7,000 mm		Ø 8,000 mm	
Ø 4,700 mm		Ø 5,200 mm		Ø 6,400 mm		Ø 7,400 mm		Ø 9,000 mm		Ø 9,500 mm	
Ø 4,500 mm		Ø 5,000 mm		Ø 6,000 mm		Ø 7,000 mm		Ø 8,000 mm		Ø 9,000 mm	
1,600 / 2,400 / 3,200 mm				2,400 / 3,200 / 4,000 mm				2,600 / 3,400 / 4,200 / 5,000 mm			
30,000 / 60,000 (opt.) Kg				100,000 Kg		150,000 Kg		250,000 Kg		300,000 Kg	
Bearing / Hydrostatic (Opt.)				Hydrostatic							
(39 / 45 kW) x 2 [Opt. (58 / 70 kW) x 2 or (95 / 140 kW) x 2]				(58 / 70 kW) x 2 [Opt. (95 / 140 kW) x 2]							
2-step gear box											
1 ~ 60 rpm				1 ~ 40 rpm		1 ~ 25 rpm		1 ~ 20 rpm		1 ~ 20 rpm	
272,700 N-m				347,000 N-m		439,600 N-m		450,980 N-m		450,980 N-m	
22 / 26 kW											
1 ~ 2,400 rpm											
—*1											
—*1											
—*1											
4,950 (+2,000 ~ -2,950) mm		5,450 (+2,250 ~ -3,200) mm		6,435 (+2,500 ~ -3,935) mm		7,435 (+3,000 ~ -4,435) mm		8,635 (+3,700 ~ -4,935) mm		9,735 (+4,300 ~ -5,435) mm	
1,500 / 1,800 mm				1,600 / 2,000 mm				1,600 / 2,000 / 2,500 mm			
6 / 10 m/min.											
8.2 kW											
1,200 / 2,000 / 2,800 mm				1,600 / 2,400 / 3,200 mm				1,600 / 2,400 / 3,200 / 4,000 mm			
150 mm/min.											
16 T											
BT50 (BT60 Opt.)											
280 x 150 x 400 mm											
50 Kg											
800 Kg											
±0.007 / 500 mm											
±0.005 mm											
SIEMENS SINUMERIK 840D sl											
AC400/440+10%to-15%3 phase											
200 L		350 L		350 L		350 L		350 L		350 L	
2,500 L		2,800 L		3,500 L		3,500 L		6,800 L		6,800L	
100,000 Kg		130,000 Kg		200,000 Kg		280,000 Kg		400,000 Kg		420,000 Kg	
7,600 mm		7,600 mm		8,550 mm		8,550 mm		12,000 mm		12,000 mm	
14,500 x 10,000 mm		15,000 x 10,000 mm		16,500 x 11,000 mm		18,000 x 12,000 mm		21,000 x 15,500 mm		23,000 x 15,500 mm	



GOODWAYCNC.com

GOODWAY MACHINE CORP.

HEADQUARTERS

No.13, 5th Road,
Taichung Industrial Park,
Taichung City, 407, Taiwan
E-mail : goodway@goodwaycnc.com

CENTRAL TAIWAN SCIENCE PARK BRANCH

No. 38, Keyuan Road,
Central Taiwan Science Park.Taichung,
Taichung City, 407, Taiwan
TEL : + 886-4-2463-6000
FAX : + 886-4-2463-9600

GOODWAY MACHINE (WUJIANG) CO.,LTD

No. 4888, East Lake Taihu Avenue, Wujiang
Economic and Technological Development Zone,
Jiangsu, China
Sales Hotline : + 86-512-8286-8068
Service Hotline : + 86-512-8286-8066
FAX : + 86-512-8286-8620
E-mail : goodway@goodwaycnc.cn