

T SPINDLE-MOULDERS

English



RS **ROBLAND**®
MADE IN BELGIUM

TABLE OF CONTENTS

About Robland	3 - 5
KT30	6
KT30 PRO	6
Options & accessories	7
T120 TS	8
T120 TL	9
T120 TP	10
Features	11
Options	11
Accessories	12
Strengths	12
Selection criteria	13
Robland machines overview	14 - 15
Disclaimer & contact details	20



MADE IN BELGIUM

SINCE 1968

ROBLAND is a privately owned Belgian company, that was founded in 1968 by Robert Landuyt. The first successes were achieved by building affordable qualitative universal woodworking machines, a large part of which are still in use today.

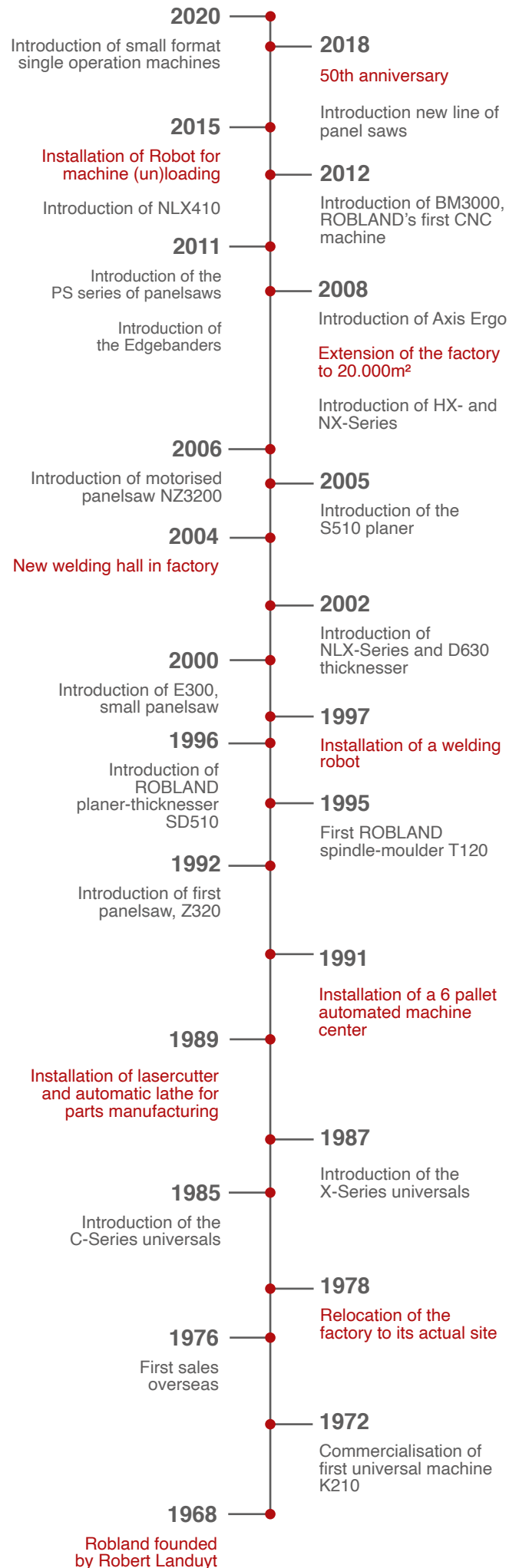
We do have all resources and competencies in house for product development, parts manufacturing, product assembly, sales and after sales support.

With our state of the art, highly automated, parts manufacturing machines we are able to remain cost effective while manufacturing in Belgium near the historical city of Bruges. Although our machines will last for years, this is not enough for us. A quality service and after sales support is key to ROBLAND's success. As we manufacture all machine parts ourselves, you can rely on spare parts always being rapidly available.

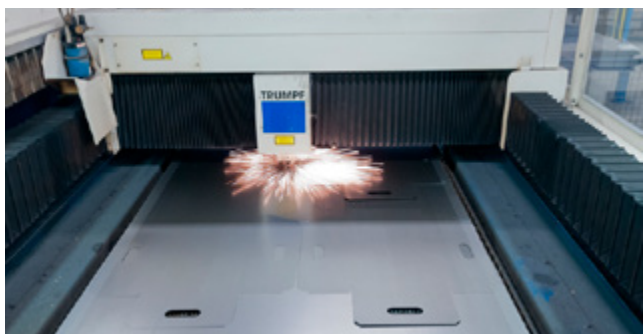
Our company mission is to offer woodworking machines with the best quality/price ratio to the high end Do-It-Yourself market and to the small and medium-sized enterprise market.

Our product portfolio, aimed at the second wood processing, includes panel saws, table saws, universal machines, planers, thicknessers, spindle moulders, horizontal mortisers, a semi-automatic boring machine, a CNC boring machine, edgebanders and dust extraction systems.

We have an international dealer network and currently export over 85% of our production worldwide to more than 100 countries. In its 20.000 m² large factory ROBLAND employs over 80 people.



PRODUCTION: FACTORY BRUGES, BELGIUM



Steel plate laser cutting



Surface scraping of cast iron table



Computer assisted steel plate bending



Surface planing of cast iron table



Welding of frame



Raw steel bars



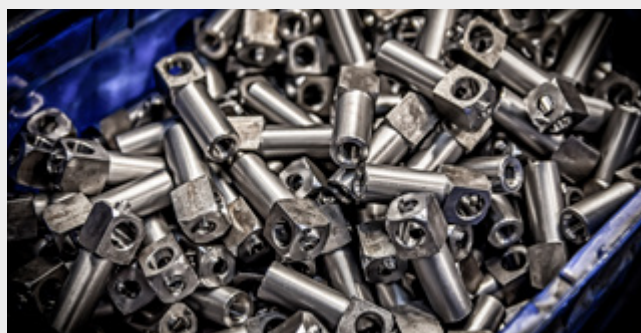
Powder coating



Machining parts



Part picking by robot

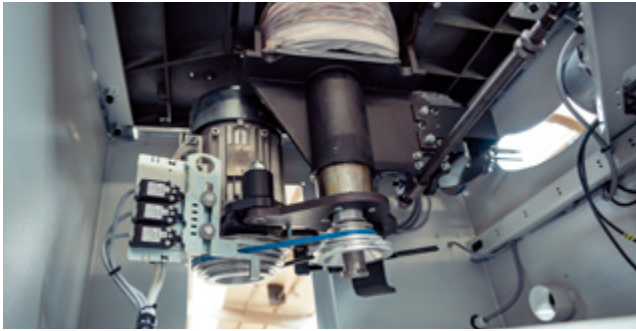


Machining parts

SUBASSEMBLY



ASSEMBLY



LEVELLING & ALIGNMENT



PACKAGING



KT30



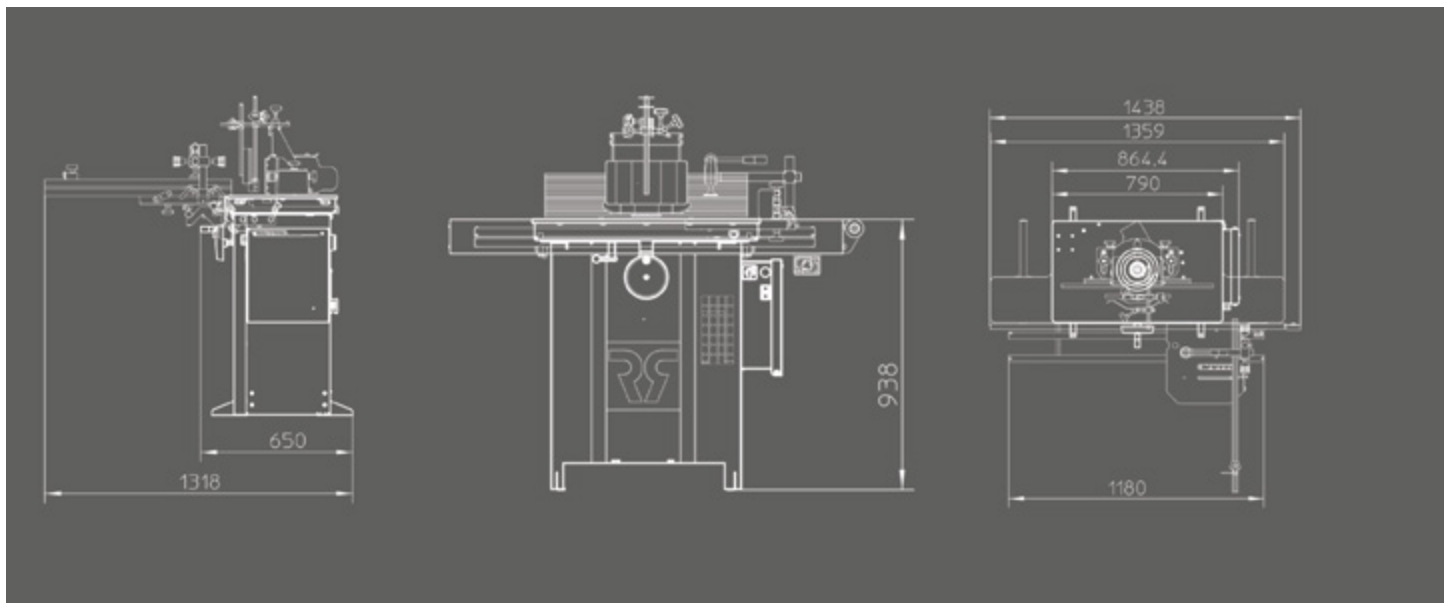
KT30 with options

KT30 Technical Data

Voltage	230 V single phase 3 X 230 V 3 x 400 V
Motorpower single phase (S6)	2,2Kw / 3hp
Motorpower three phase (S6)	3 kW / 4hp
Weight	130 kg - 150 kg
Diameter & height of table opening	179 x 60 mm
Maximum tool diameter	180 mm - requires optional motor break
Spindle length	120 mm
Spindle stroke	140 mm
Spindle diameter	30 mm (option 50 mm)
Spindle rotation speed	6000 RPM single phase 3000 / 6000 RPM three phase
Dust extraction	100 mm
Standard	Heavy steel table prepared to receive optional feeder

KT30 PRO

Voltage	230 V single phase 3 X 230 V 3 x 400 V
Motorpower single phase (S6)	2,2Kw / 3hp mono
Motorpower three phase (S6)	3,7 kW / 5hp
Weight	150 kg - 185 kg
Diameter & height of table opening	179 x 60 mm
Maximum tool diameter	180 mm - requires optional motor break
Spindle length	122 mm
Spindle stroke	140 mm
Spindle diameter	30 mm (option 50 mm)
Spindle rotation speed	3000 / 6000 / 7500 / 10000 RPM
Dust extraction	100 mm
Standard	Heavy steel table prepared to receive optional feeder Electrical connector for optional feeder Spindle rotation both clock- and counterclock wise





- Optional longer table with support beam
- Optional heavy duty fence for tools up to 250mm (requires optional motor break) providing easier repeatability and better air circulation for dust extraction.

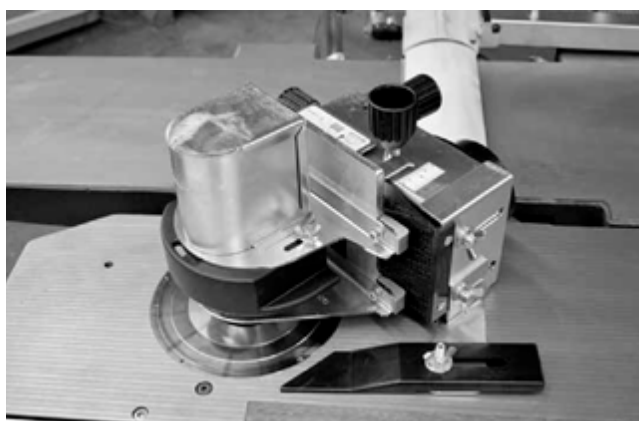


Handwheel with integrated siko counter.

ACCESSORIES



Cast iron tenoning table on heavy steel bars and tenoning hood for tools with diameter up to 250mm. (requires optional motor break)



Ring guard fence allowing to mould curved pieces.

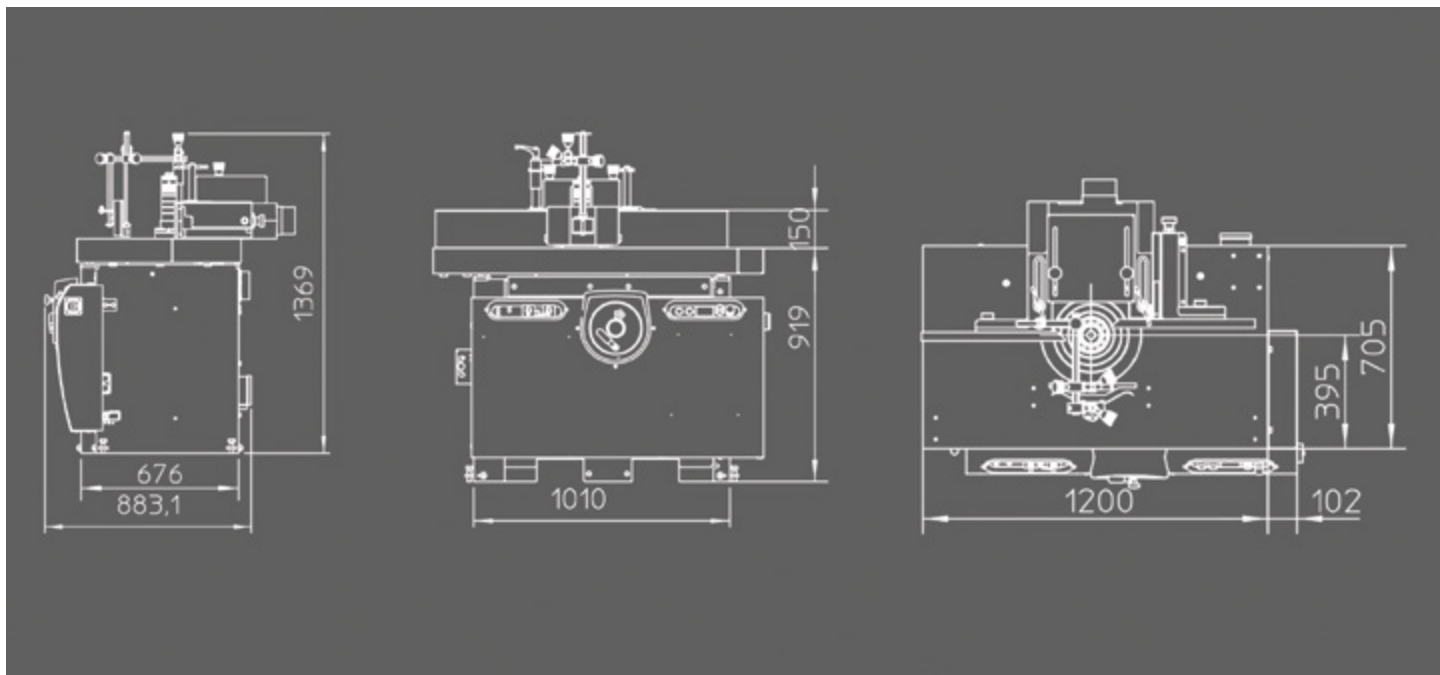
T120 TS



T120 TS with options

T120 TS Technical Data

Voltage	3 x 230 V / 3 x 400 V
Motorpower (S6)	7 kW / 9,5 hp (option 9,2 kW)
Weight	560 kg
Shaft diameter (fixed)	50 mm
Shaft diameter (quick exchange)	30 / 32 / 40 / 50 mm / 1"1/4
Spindle length	180 mm
Spindle stroke	205 mm
Spindle rotation speed	3000 / 4500 / 6000 / 7000 / 10000 RPM
Dimensions cast iron table	1200 x 705 mm
Max. diameter and height table opening	320 x 95 mm
Table height	930 mm
Diameter dust extraction	120 mm



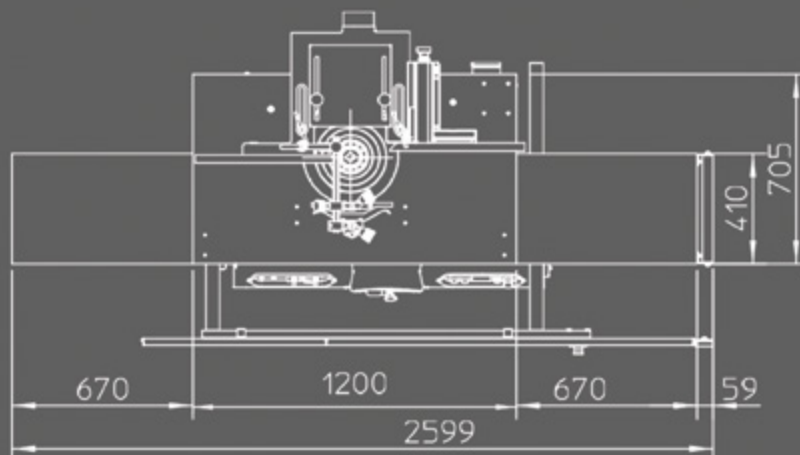
T120 TL



T120 TP with options

T120 TL Technical Data

Voltage	3 x 230 V / 3 x 400 V
Motorpower (S6)	7 kW / 9,5 hp (option 9,2 kW)
Weight	655 kg
Shaft diameter (fixed)	50 mm
Shaft diameter (quick exchange)	30 / 32 / 40 / 50 mm / 1"1/4
Spindle length	180 mm
Spindle stroke	205 mm
Spindle rotation speed	3000 / 4500 / 6000 / 7000 / 10000 RPM
Dimensions cast iron table	1200 x 705 mm
Max. diameter and height table opening	320 x 95 mm
Table height	930 mm
Diameter dust extraction	120 mm



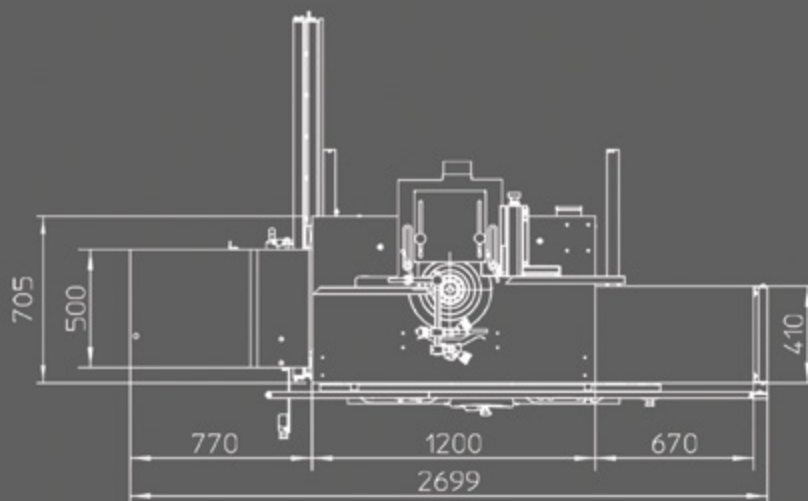
T120 TP



T120 TP with options

T120 TP Technical Data

Voltage	3 x 230 V / 3 x 400 V
Motorpower (S6)	7 kW / 9,5 hp (option 9,2 kW)
Weight	1070 kg
Shaft diameter (fixed)	50 mm
Shaft diameter (quick exchange)	30 / 32 / 40 / 50 mm / 1"1/4
Spindle length	180 mm
Spindle stroke	205 mm
Spindle rotation speed	3000 / 4500 / 6000 / 7000 / 10000 RPM
Dimensions cast iron table	1200 x 705 mm
Max. diameter and height table opening	320 x 95 mm
Table height	930 mm
Diameter dust extraction	120 mm



FEATURES T120



PRO PACK (STANDARD)

- Micro adjustment and positioning by hand wheel and mechanical indicators
- The fence moves on linear guides
- Hand wheel with integrated analogue read-out height spindle moulder
- Electrical preparation for feeder



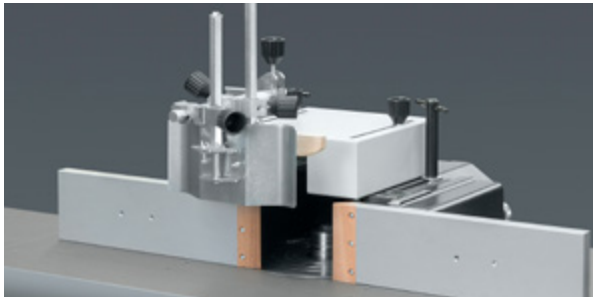
COMFORT PACK (OPTION)

- Swing away device to facilitate the removal of the fence of the table
- Motorized rise and fall of the spindle shaft
- Digital read-out of the spindle height



Motorised rise and fall of spindle shaft with integrated digital read-out. This read-out offers even more comfort and precision.

OPTIONS



ALUMINIUM FENCES

In the standard configuration wooden fences are supplied limiting the risk of tool damage. Optionally they can be replaced by aluminium fences.



AIGNER FENCES

With additional bars the aigner fences further limit the opening under the fence and hereby provide additional safety.



INTERCHANGEABLE SPINDLE SYSTEM (on the T120 series)

The interchangeable spindle system allows on a T120 model to easily exchange the spindle. Following diameters are available: 30mm, 32mm, 40mm, 50mm, 1" 1/4 inch.

ACCESSORIES



TENONING TABLE T120

On the T120 TS and T120 TL a sliding table can be mounted with a cast iron tenoning table including fence and wood clamp.



COLLET HOLDER

A collet holder is available for T120 spindle-moulders that are equipped with an interchangeable spindle system.



COLLETS

A set of 18 collets is available with size 3 - 20 mm

STRENGTHS



Easy accessibility to change spindle speeds.
3000 / 4500 / 6000 / 7000 / 10000 RPM



Easy pickup system for the heavy duty fence on the T120 models optionally available. (+/- 80kg)



See-through clamp to make work easier and safer to see and control. Now standard on all T120 models.



Micro adjustment and positioning by handwheel with mechanical counters. The topcover runs on ergonomic linear guides for easy reference and increased precision.

Handwheels with mechanical counters ensure the exact positioning of topcover and fence.

SPINDLE - MOULDERS

OVERVIEW

X = Present / O = Optional / S = Standard / - = Not available

	KT30	KT30 PRO	T120S	T120L	T120P
Machines basics					
Manual rise and fall	X	X	X	X	X
Electrical rise and fall	-	-	O	O	O
Tenoning					
Sliding table (requires optional tenoning fence and woodclamp)	-	-	-	-	-
Cast iron table with fence and woodclamp mounted on sliding rails	O	O	O	O	-
Heavy duty cast iron table with fence and woodclamp	-	-	-	-	S
Motor powers (S6)					
2,2 kW (3 hp) single phase	O	O	-	-	-
3 kW (4 hp) threephase	S	S	-	-	-
7 kW 3 * 400 V	-	-	X	X	X
7 kW 3 * 220 V	-	-	O	O	O
9,2 kW 3 * 400 V	-	-	O	O	O
9,2 kW 3 * 220 V	-	-	O	O	O
Spindle rotation (RPM)					
3000 / 6000 (only 6000 in single phase)	X	-	-	-	-
3000 / 6000 / 7500 / 10000	-	X	-	-	-
3000 / 4500 / 6000 / 7000 / 10000	-	-	X	X	X
Spindle arbor (mm)					
30	S	S	O	O	O
40	-	-	O	O	O
50	O	O	S	S	S
1" 1/4	-	-	O	O	O
Interchangeable arbor	-	-	O	O	O
Mechanical read-out					
Height (Siko counter)	O	O	S	S	S
Digital read-outs					
Height	-	-	O	O	O
Inclination	-	-	-	-	-

PANEL SAWS



NXZ



E300



CZ SERIES



FZ SERIES



Z400 SERIES



Z500 SERIES

PLANER - THICKNESSERS



NXSD310



SD410



SD510

PLANERS



KS410



S410



J510

THICKNESSERS



D510



D630

HORIZONTAL SLOT MORTISER



LBM

SPINDLE - MOULDERS



KBM



KT30 PRO



T120S



T120L



T120P



M500

COMBINED MACHINES



HX260



HX310 PRO



NX310/410 PRO



NLX310/410 PRO



NXTZ PRO



NLXTZ PRO

DRILLING MACHINES



BM21 PRO



BM3000



KM575

EDGEBANDERS



This brochure is for information purposes only. Robland reserves the right to modify machine configurations and specifications without prior notice. Standard configurations can change over time and by point of purchase. Please consult your local dealer for accurate and up to date information.

Robland NV
Kolvestraat 44
8000 Brugge - Belgium
Tel: +32 50 458 925
info@robland.com
www.robland.com



Follow us on Facebook
www.facebook.com/Roblandmachines



Follow us on Instagram
www.instagram.com/robland_nv



Follow us on YouTube
www.youtube.com/robland