

New dot peen marking gun e-mark



Extremely compact

- Handy and well balanced
- Ergonomic handle
- Light weight (3,2 kg)
- Carrying case provided
- Marking window 60 x 25 mm

High performance

- Ability to mark hard to access parts
- Marking on all types of materials
- Great precision and quality
- Speed and power marking

Robust and reliable

- Cast aluminum body and handle to provide strength and lightness

Intuitive

- Simplified navigation software
- Color display

NEW PORTABLE SPECIFICATIONS



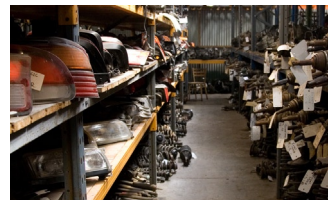
APPLICATIONS



STEELWORK



SCAFFOLD

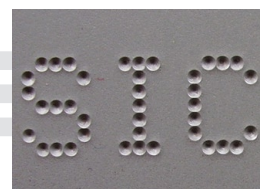


SCRAPYARD



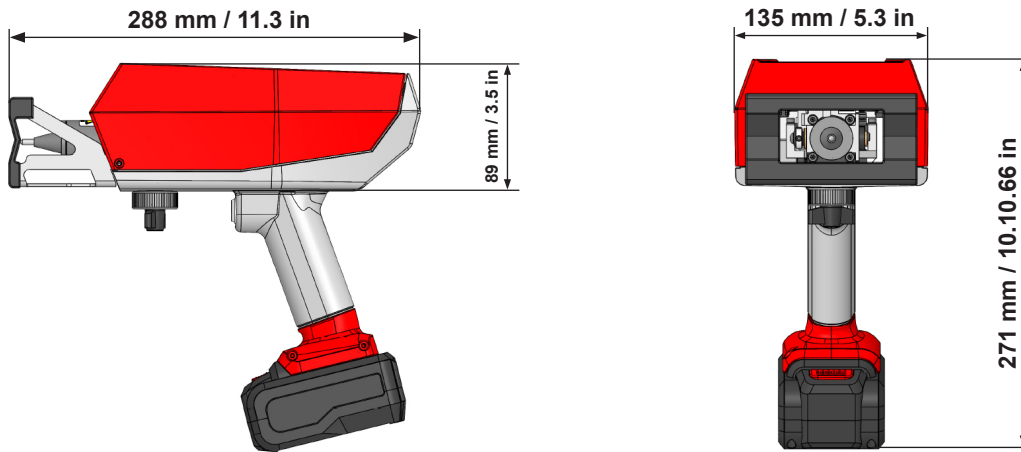
CYCLES

MARKING SAMPLES



MECHANICAL TECHNICAL FEATURES

	e-mark
Marking window	60 x 25 mm / 2.36 x 1 in
Dimensions	288 x 271 x 135 mm / / 11.3 x 10.10 x 5.3 in
Weight	3.2 kg / 7.05 Lbs
Battery Autonomy	1 to 4 hours

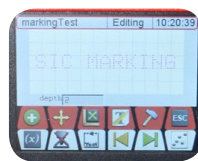


Marking Window - 60 x 25 mm / 2.36 x 1 inches

e1 CONTROLLER



- Color screen
- Reduced size
- USB port for simple transfer of marking files
- Fully programmable, easy to use software
- All marking types (DataMatrix, angular, circular, alphanumeric, logos etc.)
- Industrial membrane keyboard



■ Color screen



■ Ergonomic and fast using only 2 fingers



■ USB port

COMPLETE PACKAGE



➔ 2x18v Li-ion batteries + charger

➔ Carrying case



SIC MARKING®
 13, route de Limonest
 69380 Lissieu - France
 Tél. : +33 (0)4 72 54 80 00
 Fax : +33 (0)4 78 47 39 40
www.sic-marking.fr
info@sic-marking.com